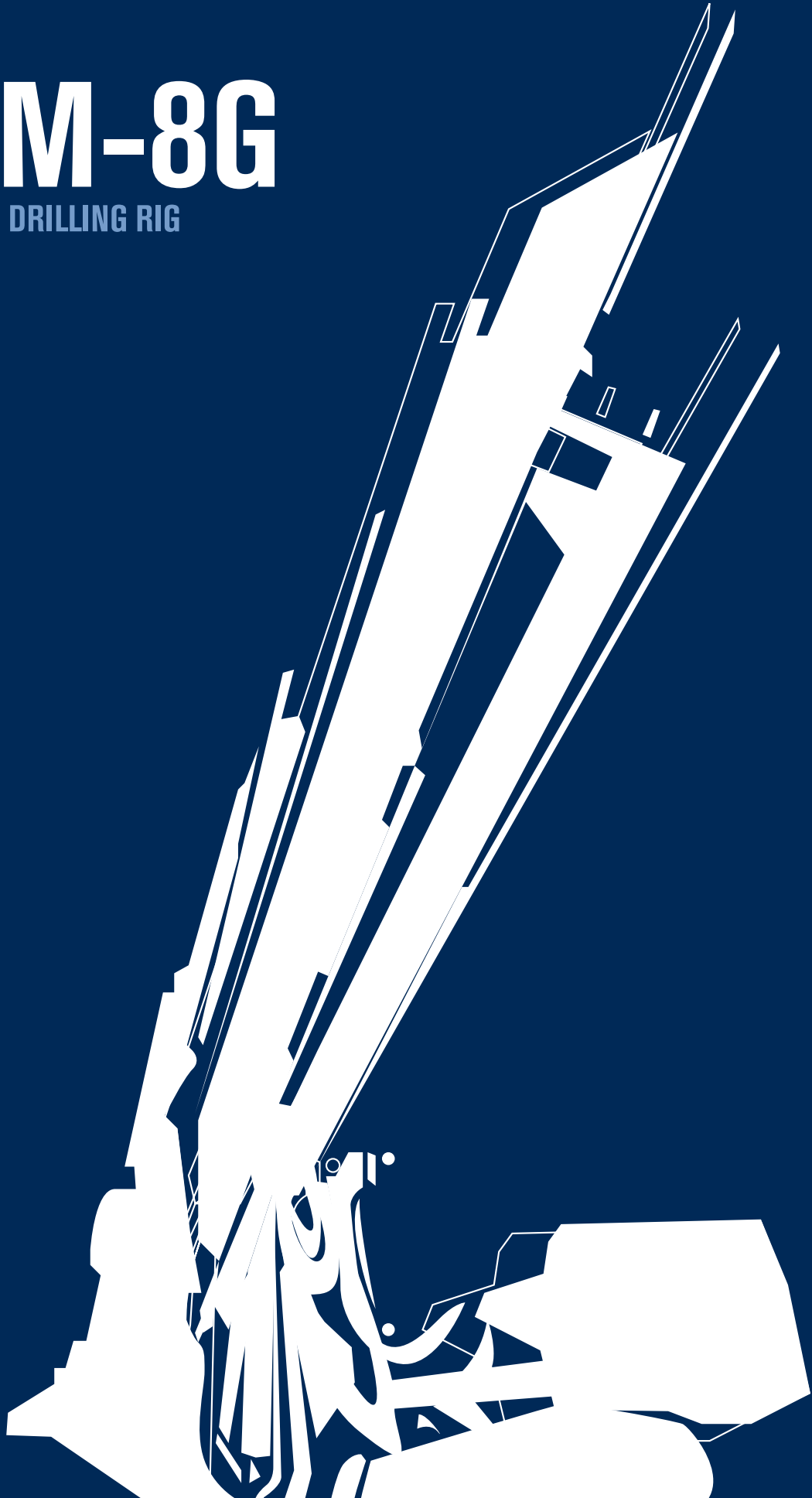


PSM-8G

HYDRAULIC DRILLING RIG



PSM-8G

HYDRAULIC CRAWLER-UNIT DRILL RIG DESIGNED FOR BORING AND MICRO-PILES

A new model

Designed mainly for geognostic use, it can also be used for conventional continuous diamond coring and for wire-line coring up to depths of 350 m.

The high-precision coring is the result of the rig's fixed kinetic mechanism with a large section drill mast which also houses the push-pull piston system, not only ensuring hydraulic balance, but also more gradual manoeuvring that protects the tool and the sample.

Main features:

- Rotation head with 6 ratio gearbox with a maximum velocity of 700 rpm
- Fixed kinetic mechanism can be tilted +/- 15°
- Extraction capacity of 9500 kg
- Hydraulic balance
- Wire-line winch with 350 m capacity
- Triplex Pump 185 lt /45 bar

A range of optional accessories make the rig particularly versatile for applying alternative technologies in the fields of environmental investigation, deep exploration for water and geothermal applications.

Optional extras:

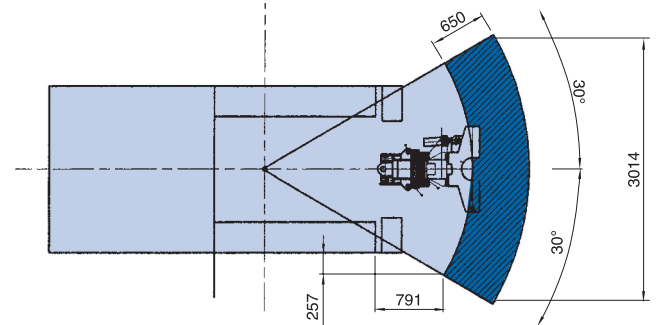
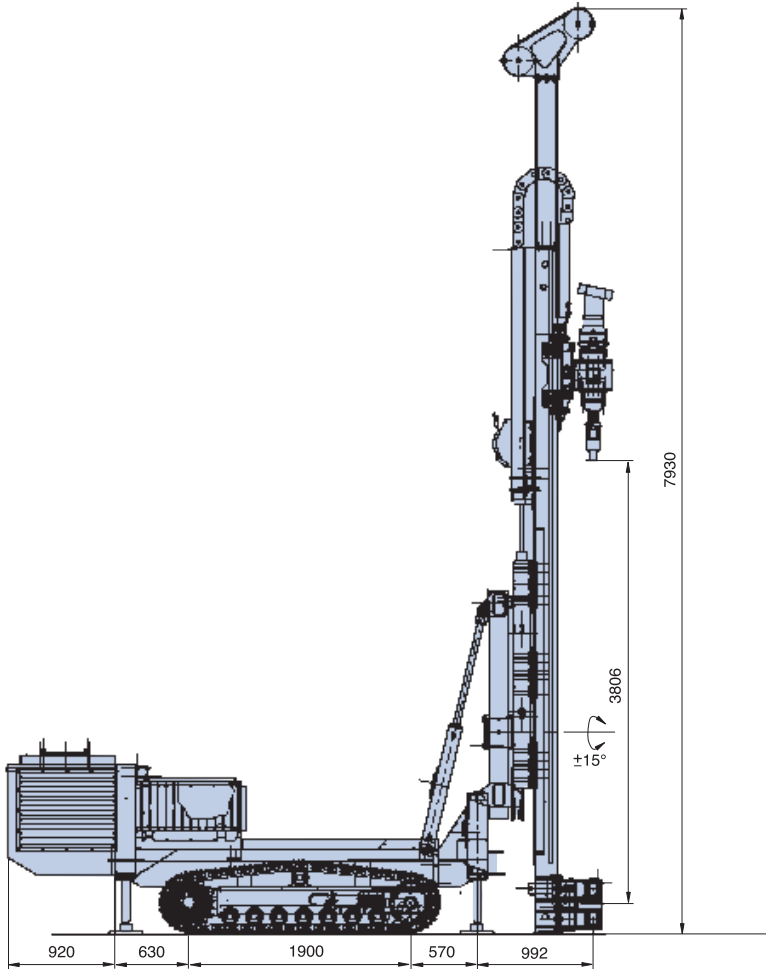
- Piston bearing for inclined drilling
- Top hammer for environmental investigation
- Jet-grouting kit for treatments up to 12 m with a 90 m diameter mast
- Double rotary
- Foam pump
- Adapter kit for geothermal applications (double rotary, triple vice and preventer)

Crawler Undercarriage			
Shoe	mm	300	
Overall length	mm	2474	
Overall width	mm	1900	
Max speed	km/h	2,36	
Average pressure on ground	MPa	0,063	
Diesel Engine			
Make and model	DEUTZ TCD 2012 L04		
Max Diesel Engine power	kW	85	
Fuel tank capacity	liter	130	
Hydraulic System			
Main piston pump, with variable delivery	l/min	149	
Main pump pressure	MPa	25	
Hydraulic oil tank capacity	l	300	
Rotary Head			
Max nominal torque	daNm @ rpm	820 @ 65	400 @ 158
Maximum drilling speed	rpm	0 - 700	0 - 382
Mast feed/hoist system			
Rod length	m	3	
Feed type	Piston		
Standard cradle stroke	mm	3900	
Max. hoist force	daN	9500	
Max feed force	daN	6200	
Max speed (slow/fast)	m/min	0-17/35	
Clamp and breaker			
Clamping diameter range	mm	60-250	
Max clamping force @ 20 MPa	daN	10000	
Max breaking torque	daNm	3000	
Service Winch			
Max line pull in 1 st layer	daN	1500	
Rope max speed in 4 th layer	m/min	38,5	
Rope diameter	mm	10	
Drum rope capacity	m	51	
Wire-line Winch			
Max capacity	m	350	
Triplex Mud Pump			
Delivery	l	185	
Max pressure	bar	45	
Weight			
Total weight	kg	8200	

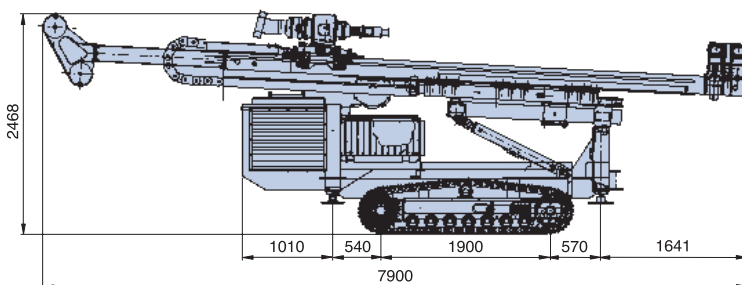
PSM-8G

HYDRAULIC DRILLING RIG

Work Conditions
STD Version



Transport Conditions



SOILMEC distributes machinery and structures all over the world, supported by SOILMEC subsidiary companies and representative offices as:

SOILMEC LTD - U.K.

SOILMEC MISR S.A.E. Co. - Egypt

SOILMEC (H.K.) Limited - Hong Kong

SOILMEC JAPAN CO LTD - Japan

SOILMEC S.P.A. - Beijing Repr. Office - P.R. China

SOILMEC FAR EAST PTE.LTD - Singapore

SOILMEC EMIRATES - U.A.E.

SOILMEC GULF - U.A.E.

SOILMEC FRANCE S.A.S. - France

SOILMEC INDIA - India

SOILMEC S.P.A. - Moscow Repr. Office - Russia

CERTIFIED QUALITY SYSTEM

In 1990 Soilmec was awarded with the certification of its Quality System complying with ISO 9001:2000 and ISO 14001:2004 standards.



SOILMEC S.p.A.

Drilling and Foundation Equipment

5819, via Dismano

47023 Cesena (FC) - Italy

tel. +39-0547-319111

fax +39-0547-318548

[http:// www.soilmec.it](http://www.soilmec.it)

e-mail: soilmec@soilmec.it

All technical data are purely indicative and subject to change without notice.